

Product Finish: Chrome

Product code: AT1169
EAN13 barcode: 5060048381863



Product features:

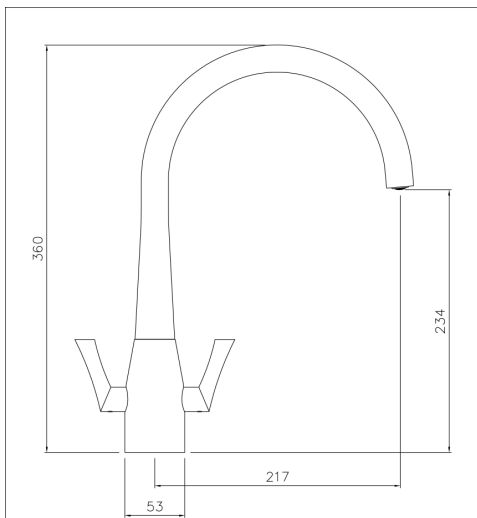
- Subtle soft sweeping design form
- Quarter turn handle action for precise flow control
- Metal construction throughout
- Antisplash spout supplied as standard
- Supplied complete with flexible tail pipes for fast simple fitting

Additional information / Parts included:

Includes triangular stabiliser

Note: the image shown may not reflect the product finish, chrome finish is typically depicted.

Product dimensions:



- Overall Height / projection: 360 mm
- Exit reach: 217 mm
- Exit height: 234 mm
- Centre distance(s):

- Base diameter(s): 53 mm
- Recommended hole diameter: Ø 35 mm
- Max. surface depth: 50 mm

- Spout diameter: 24 mm
- Spout aerator size: M21.5x1

Packaged properties:

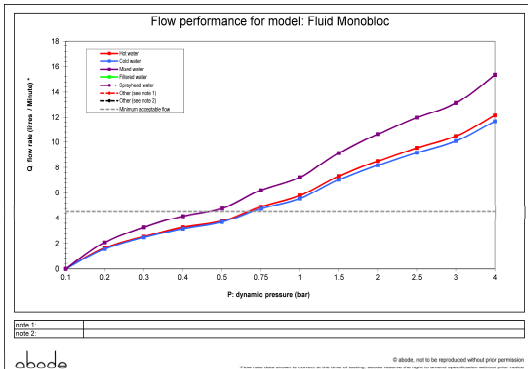
- Box length: 435mm
- Box depth: 70mm
- Box width: 340mm
- Units per outer: 5
- Tap only weight: 1.66kg
- Boxed weight: 2.38kg

FLUID MONOBLOC V2



(c) abode home products ltd
www.abode.eu
Our design is continually improved and developed products, and accordingly we reserve the right to amend specifications without prior notice.

Product flow characteristics:



- Min / Max water pressure: 0.50 / 5.5 bar
- Recommended / Max water temperature: 46°C / 70°C
- Part G - Mixed flow rate at 3 bar (litres / min): 13.12

- Control valve type: Ceramic disc QT
- Product flow characteristics: Single flow
- Non return valve(s): Hot & cold (integral to tails)

- Aerator type: Plastic mesh diffuser
- Accepts revolve / spray areator: No
- Spout connection method: Screw

- Tail pipe inlet / outlet size: M12 / 1/2" BSP Male
- Inlet pipe type / length: flexible stainless braided hose / 260 mm

Care instructions summary:

- Clean the mixers and showers regularly as required, using soap, do not use any other cleaners.
- Regular cleaning will prevent the build-up of lime scale and dirt
- After cleaning rinse thoroughly with clean water to remove any cleaner residue
- Residues of sink & worktop cleaners can also cause damage, so rinse with clean water after using, avoid contact with any abrasives

Warranty Summary (Full details available on request):

- Materials and workmanship defects warranted for 5 years
- Valves and working parts warranted for 5 years
- Surface warranty defects warranted for 1 year
- O-rings, hoses & gaskets warranted for 1 year