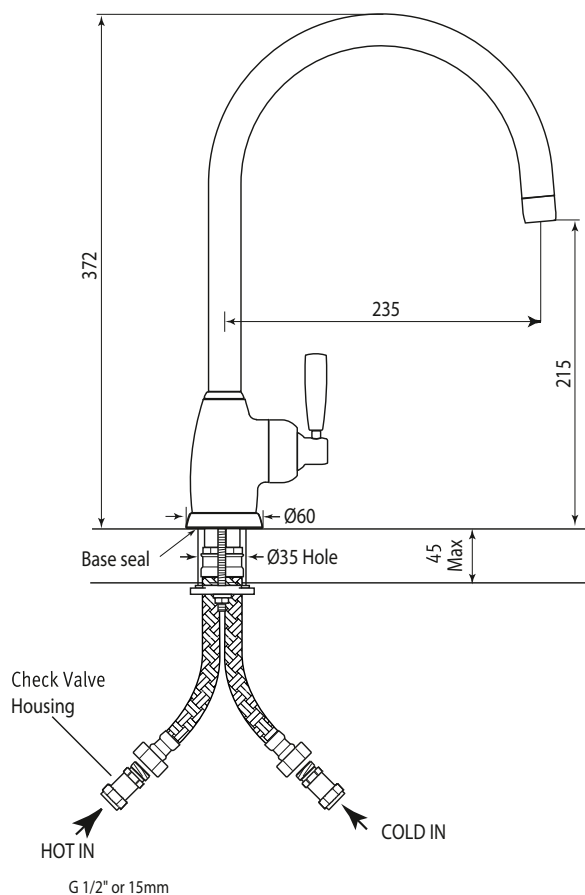


Specification 4841



Mimas Single Lever 'C' Spout

- Easy to operate single handle design.
- flexible connectors for easier installation.



Temp Range:

min 1°C/34°F
max 85°C/185°F

Recommended working pressure:

min 0.5 bar/7psi
max 5 bar/75psi

Specification 4841



Mimas Single Lever 'C' Spout

- Easy to operate single handle design.
- flexible connectors for easier installation.

Where * Indicated Specify Colour.

