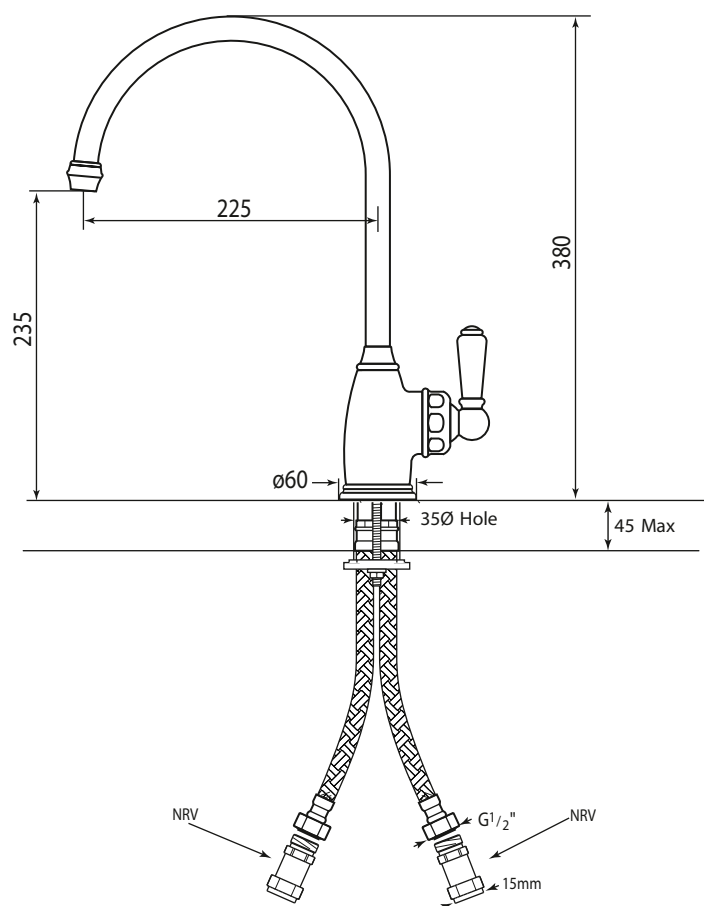


Specification 4341



Parthian Monobloc Single Porcelain Lever Mixer

- easy to operate single handle design.
- flexible connectors for easier installation.
- Corian handle



Temp Range:

min 1°C/34°F
max 85°C/185°F

Recommended working pressure:

min 1 bar/15 psi
max 5 bar/75 psi

Specification 4341



Parthian Monobloc Single Porcelain Lever Mixer

- easy to operate single handle design.
- flexible connectors for easier installation.
- Corian handle

Where * Indicated Specify Colour.

