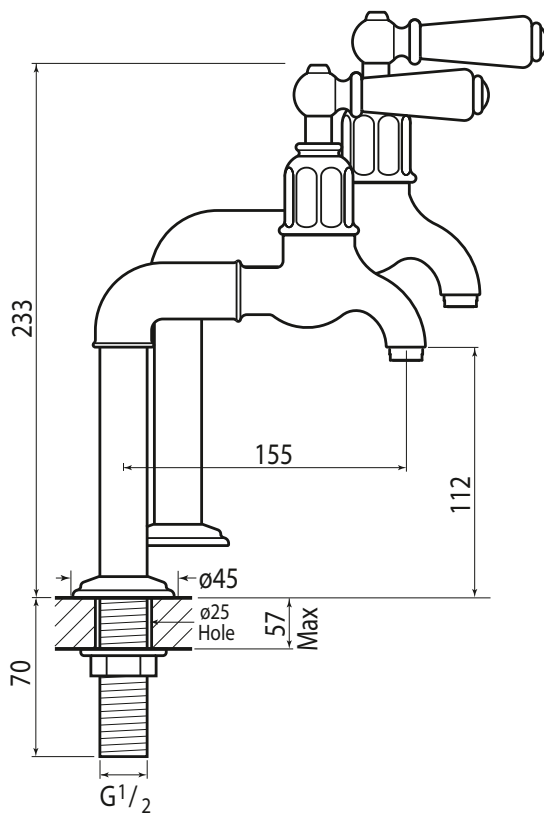


Specification 4332



Mayan Bibcock Taps, Deck Mounted with Porcelain Lever Handles (pair)

- 1/4 turn ceramic disc flow control.
- vernier insert for accurate handle alignment.
- unique handle construction with integral bearing ring.
- Corian handles



Temp Range:

min 1°C/34°F
max 85°C/185°F

Recommended working pressure:

min 0.2 bar/3 psi
max 5 bar/75 psi

Specification 4332



Mayan Bibcock Taps, Deck Mounted with Porcelain Lever Handles (pair)

- 1/4 turn ceramic disc flow control.
- vernier insert for accurate handle alignment.
- unique handle construction with integral bearing ring.
- Corian handles

Where * Indicated Specify Colour.

