

Product information sheet drink.filter EVOL-S Pro

Item no. 526311

Benefits



- Semi-professional mixer tap: cold, hot and filtered cold water
- Delivering exactly the amount of filtered water you need
- Intuitive measuring function and touch control for improved efficiency and reduced water consumption
- Separate spout for purified drinking water can be used simultaneously with flexible spout
- Market leading, high quality five-stage filtration system with DigiFlow meter
- Dual spray on practical semi-professional flexible spout with precise magnetic holder

Colours



Available colours:

PVD steel

PVD PVD steel

Scope of supply

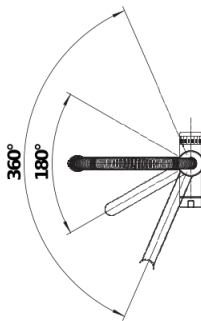
Systems:

- High-end water filtering system by BWT, incl. filter head and multi-stage filter cartridge
- Control box with integrated display to show remaining filter capacity

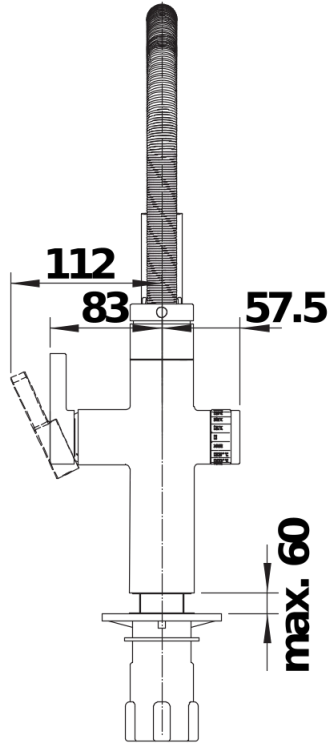
Tap:

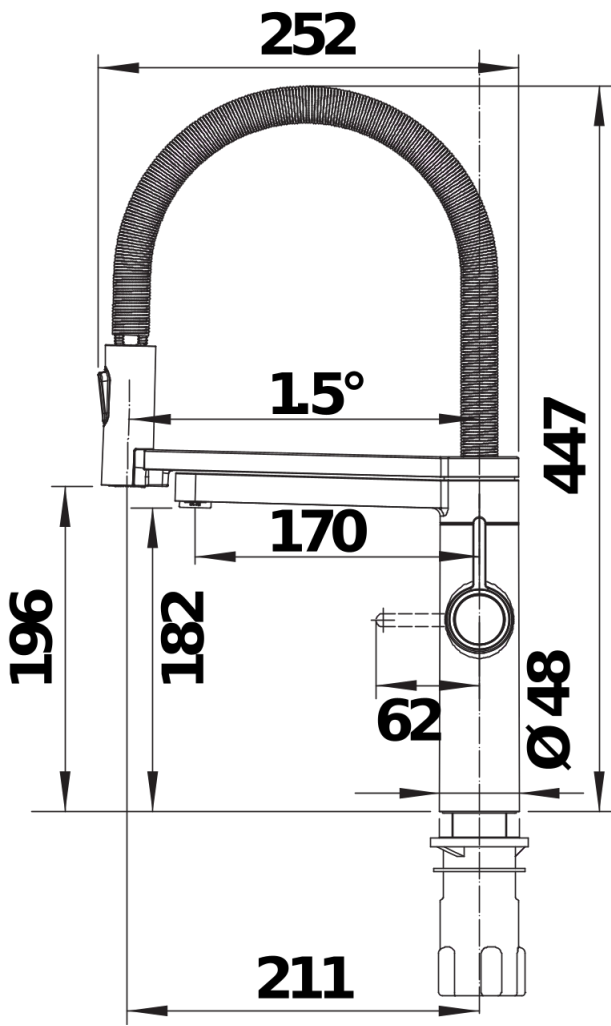
- 360° swivel spout for mixed water
- Separate 180° swivel spout for refined water
- Ø35mm tap hole required
- Ceramic disc control
- Various flexible connection hoses and connection bends for particularly easy and safe assembly
- Patented jet regulator for markedly reduced scaling
- Requires high pressure supply only, min 1.0 bar
- Fit metal stabilising bracket if required, item No. 513383

Details



Swivel range





Side view