

## Product information sheet JAMIA

Item no. 525335

### Benefits

---



- Slender body with a J-shape spout
- Twin lever monobloc mixer tap
- High spout for the easy filling of tall pots and vases
- Enlarged working radius thanks to the 360° swivel spout
- Advanced temperature levelling with low pressure water (0.3 bar)

### Colours

---



Available colours:

chrome

galvanic chrome

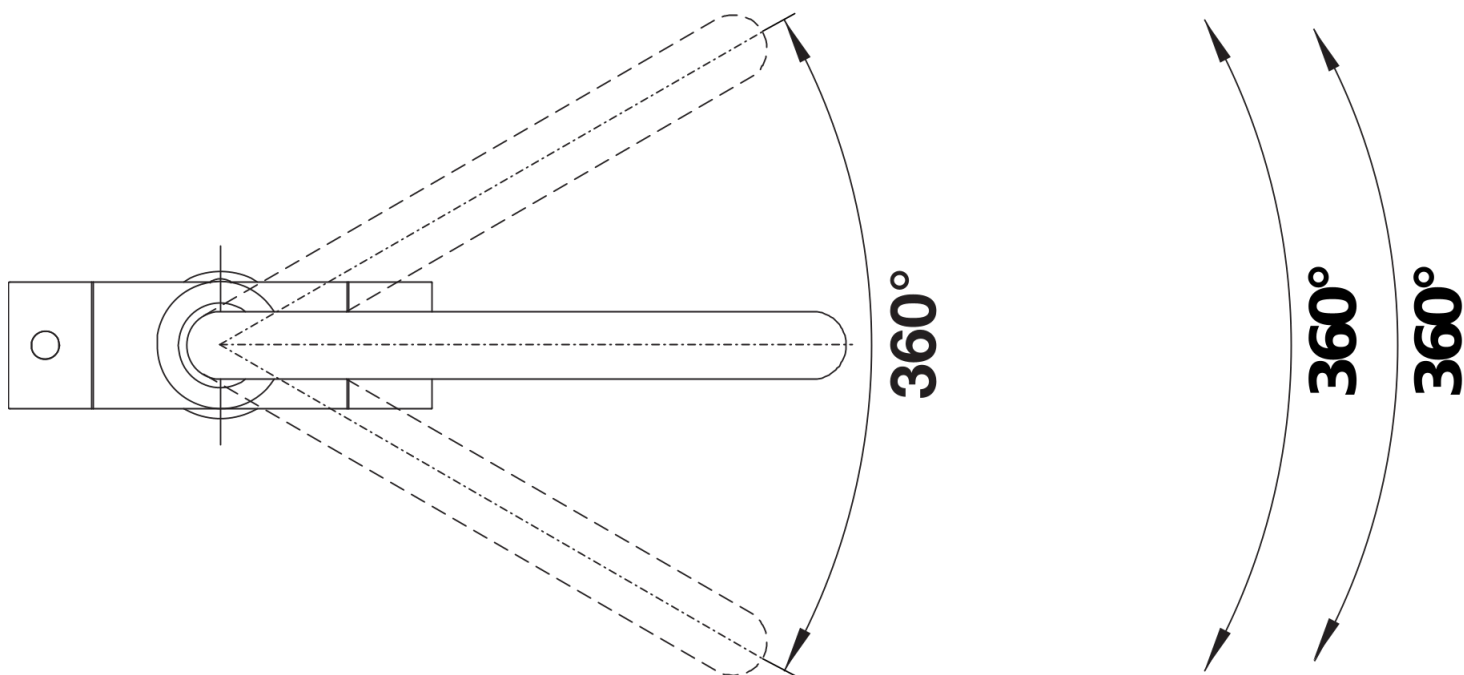
## Scope of supply

---

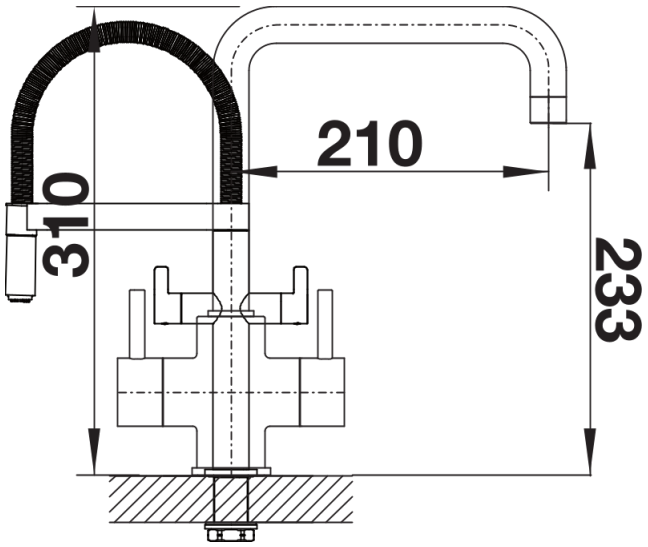
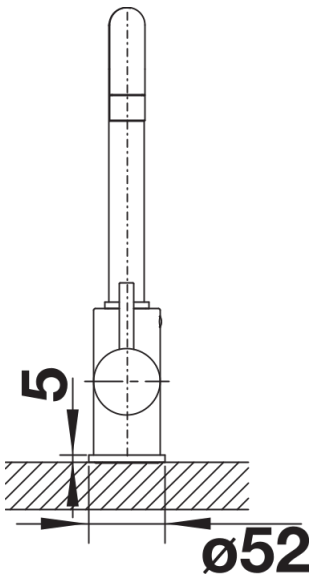
- Twin lever monobloc mixer tap
- Stylish J shaped spout
- Ceramic disc cartridge
- WRAS approved fitting
- Flexible connector pipes, 450mm long and ½" nut for particularly easy and safe installation
- Patented jet regulator for markedly reduced scaling
- Suitable for low pressure gravity and pressure systems, max 5.0 bar, min 0.3 bar
- Fit metal stabilising bracket if required, item No. 450775

## Details

---



## Swivel range



Side view