

Product information sheet CAMIA

Item no. 525334

Benefits



- Slender body with a C-shape spout
- Twin lever monobloc mixer tap
- High spout for the easy filling of tall pots and vases
- Enlarged working radius thanks to the 360° swivel spout
- Advanced temperature levelling with low pressure water (0.3 bar)

Colours



Available colours:

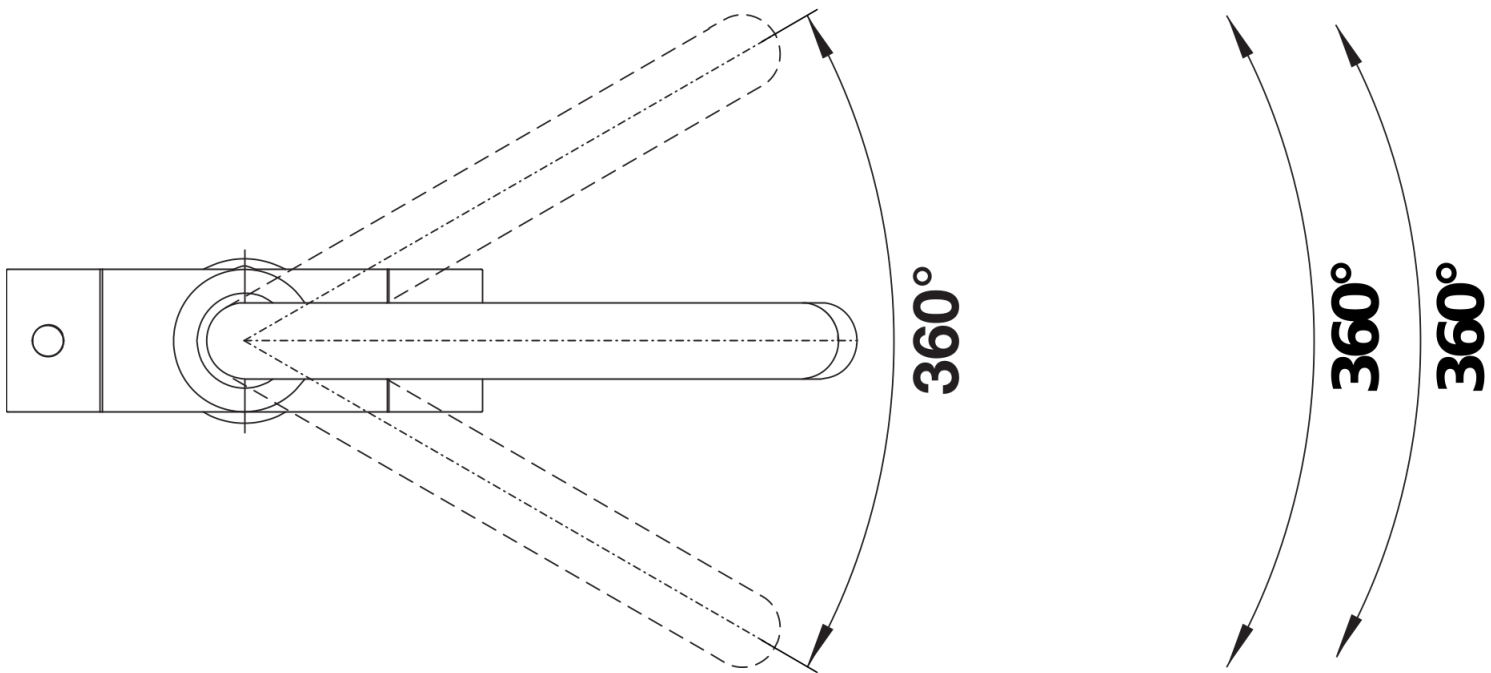
chrome

galvanic chrome

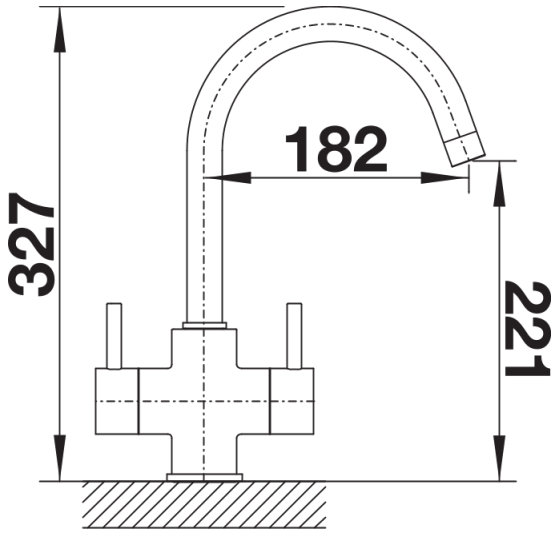
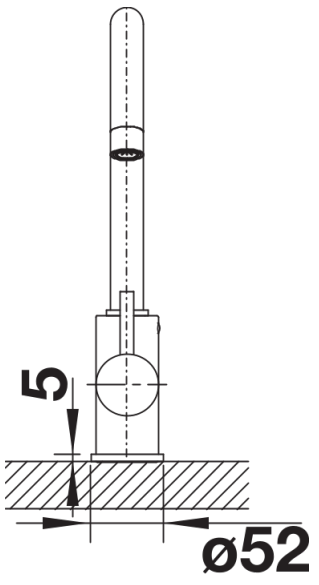
Scope of supply

- Twin lever monobloc mixer tap
- Ceramic disc control
- WRAS approved fitting
- Suitable for low pressure gravity and pressure systems, max 5.0 bar, min 0.3 bar
- Fit metal stabilising bracket if required, item No. 450775

Details



Swivel range



Side view