

Product information sheet CLASSIMO 45 S-IF

Item no. 525330

Benefits



- A modern interpretation of classic design features
- High-quality features with the covered C-overflow and elegantly integrated InFino strainer with flat and intuitive PushControl remote control
- Compact sink with spacious functional areas
- Elegant IF flat-rim for flushmount and for installation from above
- Can be installed reversibly

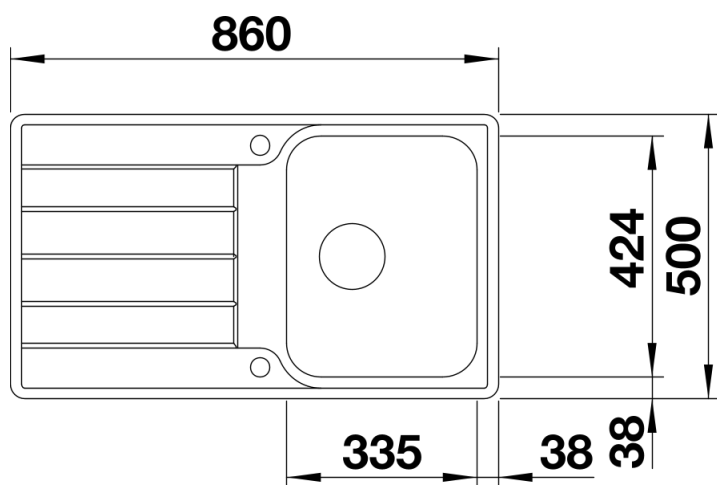
Planning information

- Cut out: 840 x 480 x R15
Universal handing

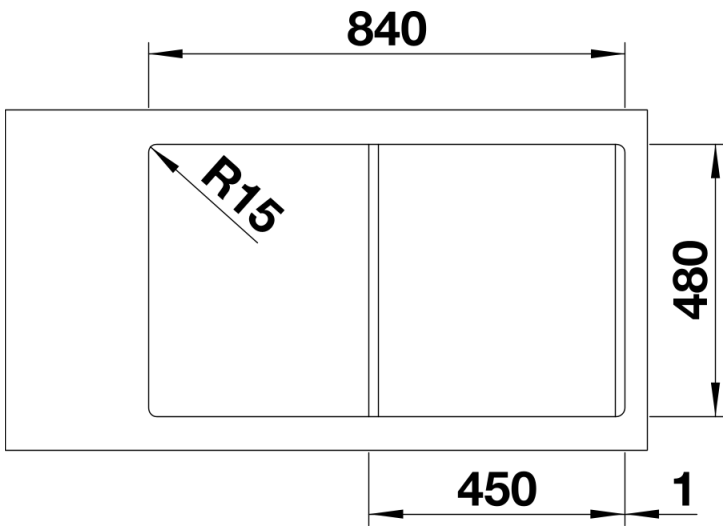
Scope of supply

- waste kit with space-saving pipe
- 1 x 3 ½" InFino basket strainer with drain remote control (PushControl)

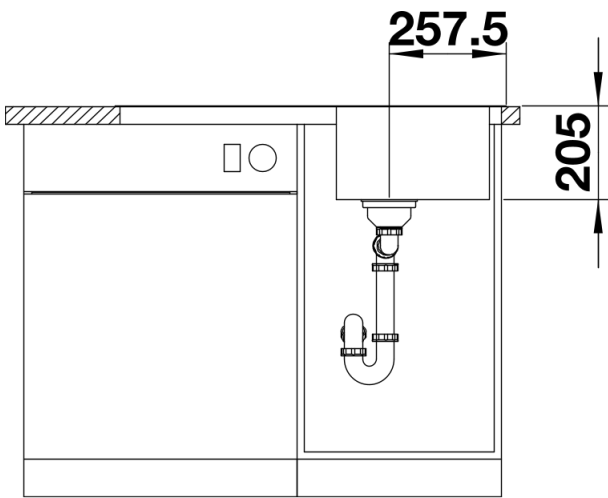
Details



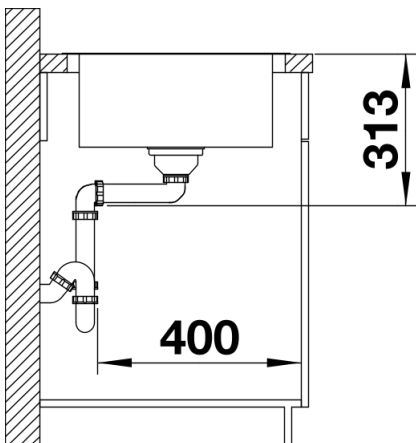
Top view



Cut-out



Front view



Side view