

Product information sheet CATRIS-S Flexo

Item no. 525793

Benefits



- Classic lines flow into semi-professional design and features
- Black matt surface finish to match the surroundings
- Flexible black rubber hose provides optimal range of motion
- Dual spray with integrated flow stop: easy switch from aerated stream to powerful rinse spray
- Precise magnetic holder ensures convenient hose docking
- Low height ideally combines with kitchen wall units

Colours



Available colours:

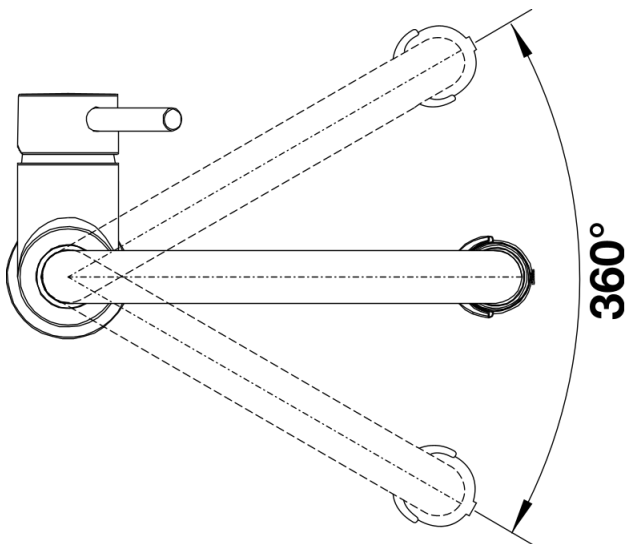
black matt

Special colours black matt

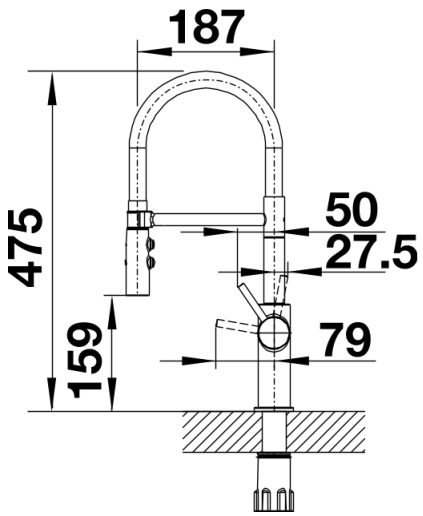
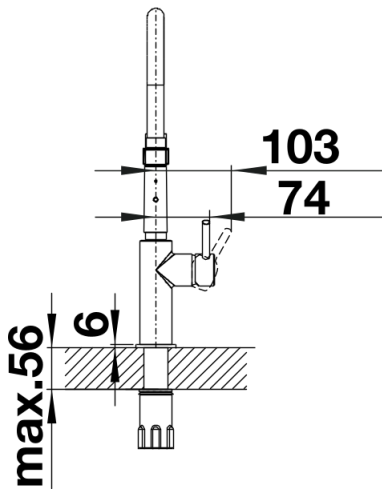
Scope of supply

- 360° swivel spout for greater reach
- Flexible black rubber hose
- Variable jet options - aerated stream to powerful rinse spray
- Removable handset with magnetic parking arm
- Ceramic disc control
- Flexible connection pipes with a length of 450 mm and $\frac{3}{8}$ " nut for particularly easy and secure installation
- Patented jet regulator for markedly reduced scaling
- Requires high pressure supply only, min 1.0 bar
- Fit metal stabilising bracket if required, item No. 513383

Details



Swivel range



Side view